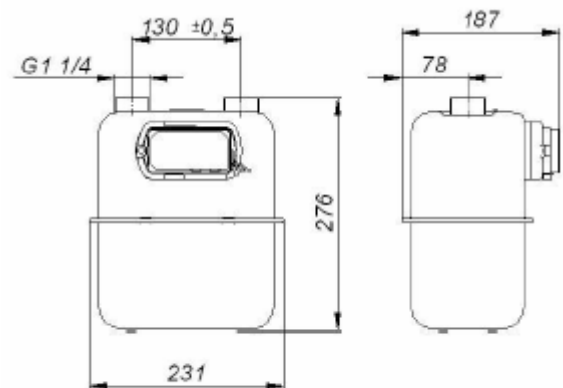


## Residential Gas Meter G4



### Dimensions:



### Overview

The gas meter 6G4L with the distance between the bosses of 130mm is designed for measurement of gas supplied to apartments where maximum consumption of gas is equivalent to 6m<sup>3</sup>/h of the air density of 1.2kg/m<sup>3</sup>.

The gas meter can be used for the measurement of:

Natural Gas

City Gas

Propane-butane gas

The gas meter is equipped with a pulse magnet as standard. A pulse transmitter can be added at any time (1imp = 0.01m<sup>3</sup>)

### Technical Data

Maximum flow rate: Q<sub>max</sub> = 6m<sup>3</sup>/h

Minimum flow rate: Q<sub>min</sub> = 0.04m<sup>3</sup>/h

Nominal flow rate: Q<sub>n</sub> = 4m<sup>3</sup>/h

Cyclic volume: V = 2.2dm<sup>3</sup>

Max. working pressure: P<sub>max</sub> = 0.5bar

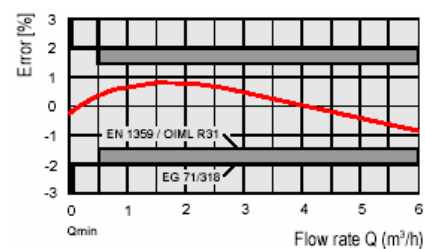
Index max indication : 99999,999 m<sup>3</sup>

Starting flow rate: 5dm<sup>3</sup>/h

Weight: 3kg

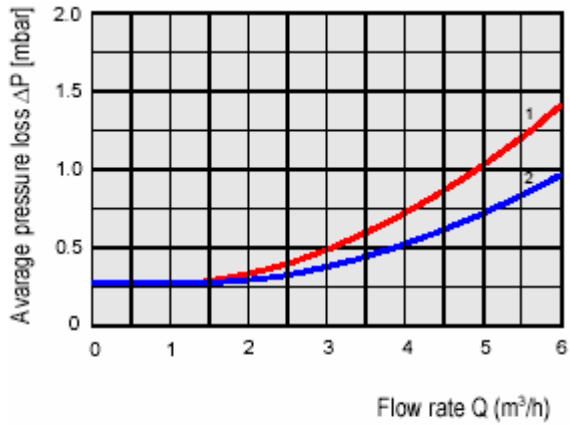
Fireproof up to 650c, up to 0.1bar according to EN1359

### Typical Error Curve





## Pressure Loss Curve



- 1 – air
- 2 – natural gas